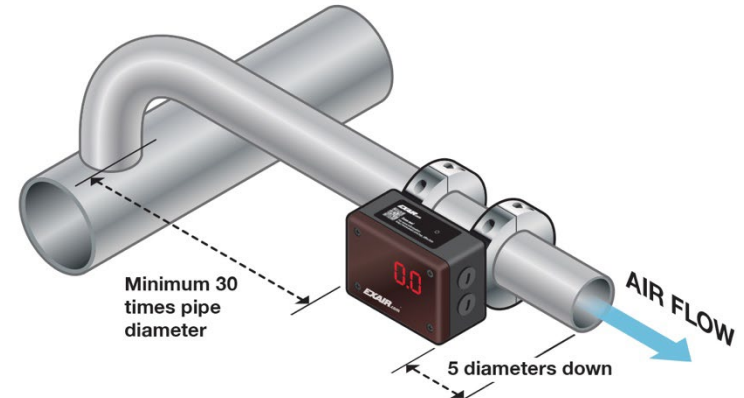




## Installation and Startup Guide for **EXAIR** Digital Flowmeters

Please refer to the data sheets for more detailed instructions.

### 1. Meter Location

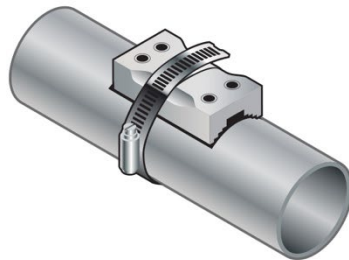


- Maximum pressure is 200 psi in Sch. 40 steel and Type L Copper. Consult **EXAIR** about other applications.
- Air must be free from water droplets. Locate the meter downstream of a dryer.
- Provide at least 30 diameters of straight pipe upstream of the meter, and 5 diameters downstream.

### 2. Drilling the Holes



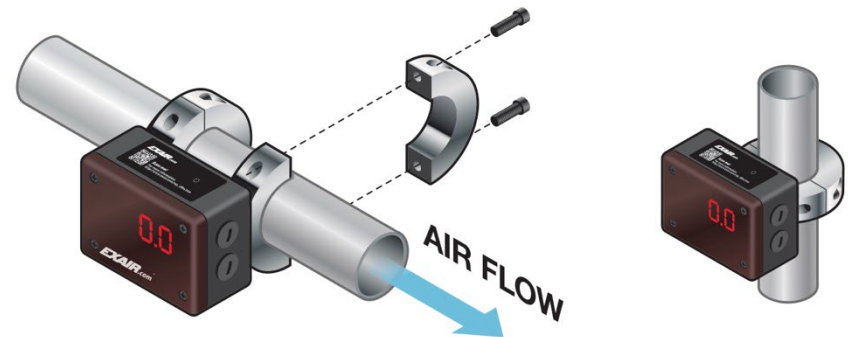
Half-Ring Drill Guide



Universal Drill Guide  
with Band Clamp

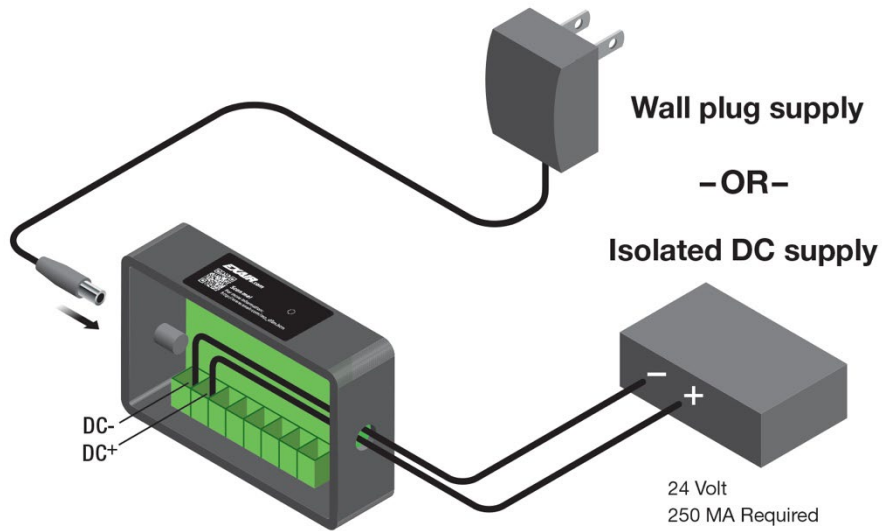
- Air *must* be shut down.
- Wear eye protection.
- Shavings will enter pipe; make sure they will not cause problems downstream.
- Orient the drill guide for optimal meter visibility.

### 3. Mounting the Meter

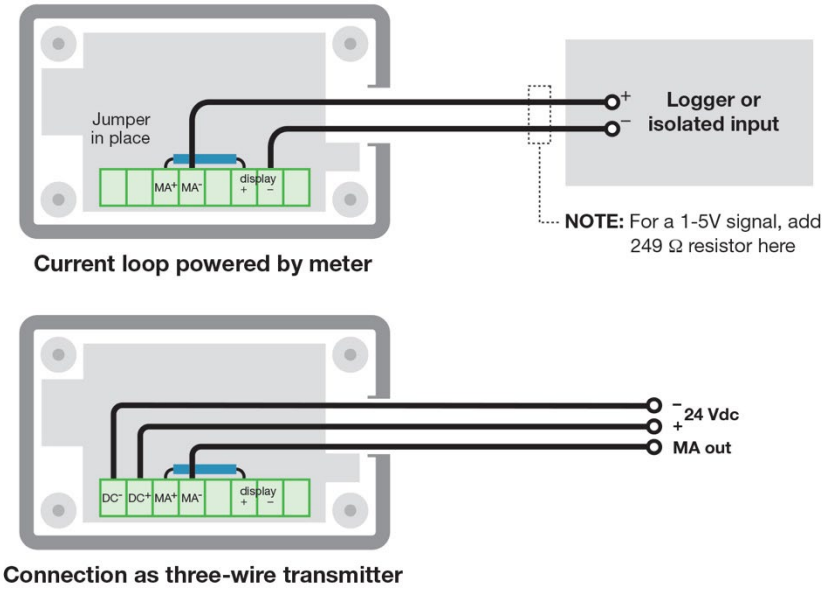


- Check the flow direction.
- Orient display to suit application – rotate cover and display 180 degrees if appropriate.
- Do not over-tighten screws.

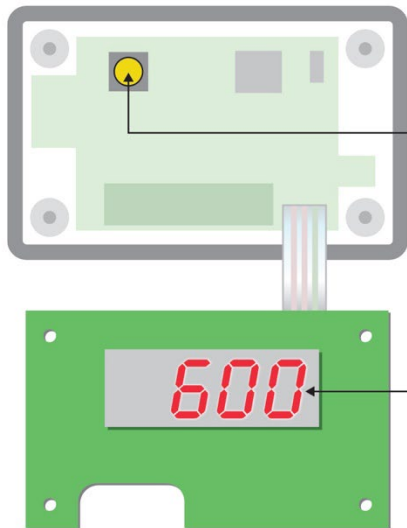
## 4. Powering the Meter



## 5. Wiring the Milliamp Output



## 6. Milliamp Scaling



**NOTE:** The milliamp full-scale value of each meter is fixed. To determine the value for a particular meter:

Press button twice or disconnect and reconnect power.

Display will read mA full-scale value

If you need a different scale range, please contact **EXAIR**.

