



Manufacturing Intelligent Compressed Air Products Since 1983
11510 Goldcoast Drive, Cincinnati, OH, USA 45249-1621
(513) 671-3322 FAX (513) 671-3363 Email: techhelp@exair.com



DIGITAL FLOWMETERS WITH PRESSURE SENSING OPTION INSTALLATION & MAINTENANCE

- 0 – 145 psig (0 – 10 barg) range
- Milliamp output for pressure in addition to flow
- Low-pressure alarm provided as transistor output
- Display can be configured to show pressure or flow
- Pressure included in optional wired or wireless serial outputs

The pressure-sensing option for the EXAIR flowmeters allows plant managers to monitor pressure throughout an air distribution system along with flow. A pressure sensor is mounted between the two flow-sensing probes. It accesses pipe pressure through a cutout in the gasket that seals the ring to the pipe. The pressure signal is provided as a second milliamp output. With this option, both milliamp outputs are non-isolated; they source current to be returned to the meter's dc- connection. The display can be configured to show the pressure signal, and the pressure signal is also available through the optional wired and wireless serial outputs.

SPECIFICATIONS

Accuracy: +/- 2 psig maximum
+/- 0.5 psig typical at 68 deg F

Pressure range:

0 to 145 psig operating range
200 psig maximum
145 psig full scale of mA output
For best accuracy, avoid exposure to pressures above 145 psig.

To zero the meter, apply power while holding the button on the main circuit board pressed.

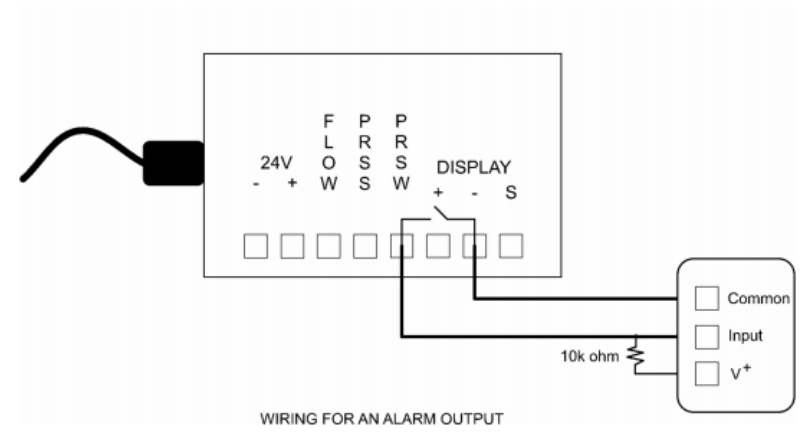
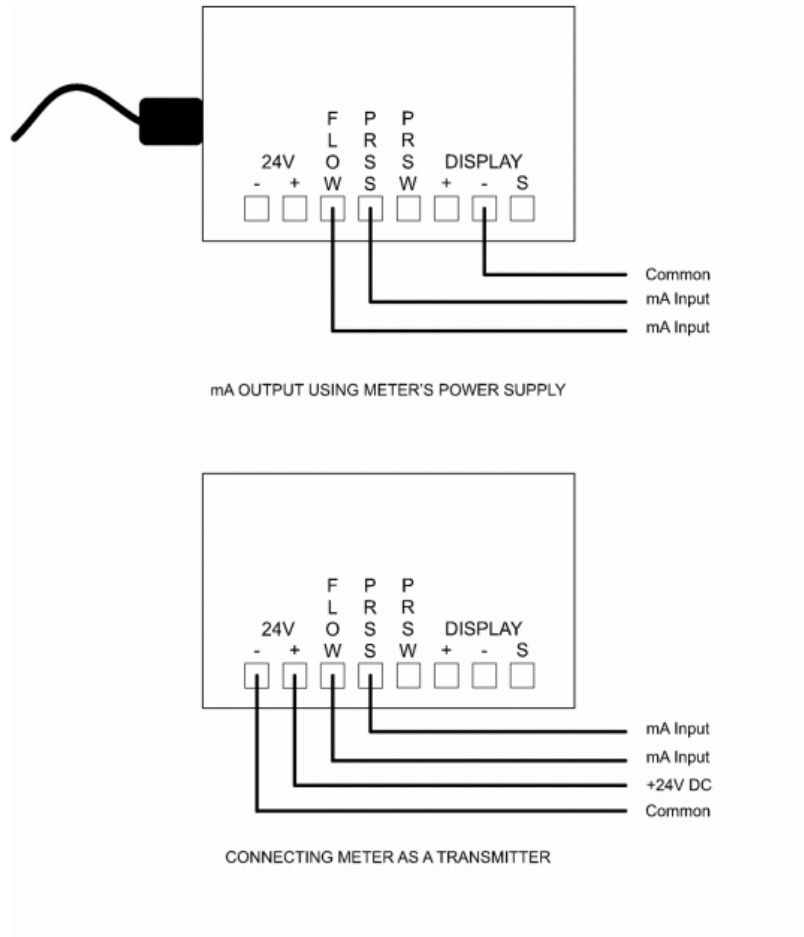
DIFFERENCES FROM THE STANDARD METERS

Milliamp Outputs: With the pressure-sensing option, the milliamp outputs are powered from the meter's 24-Volt supply, rather than being electrically isolated from the rest of the meter. They function as the standard meter's output does with the jumper in place.

Pulse or Alarm Output: The pulse output on the standard meters is replaced with a transistor output configured as a low-pressure alarm that will turn on when the pressure drops below 50 psig and off when it's above 55 psig. Please contact EXAIR for other pressures or if you have other output requirements.

Display Configuration: With the display configured for flow, pressure will appear on the fourth button press. Pressure can be set as the default by setting the default display (dd) to 4. If the display is configured for metric units, pressure will be displayed in barg, with two decimal places shown.

Serial Outputs: In the optional wired and wireless Modbus serial outputs, pressure is provided in increments of 0.1 psig or 0.01 bara in register 4 (zero based).



If you have any questions or problems, please contact an EXAIR Application Engineer at:

Toll Free: 1-800-903-9247 (US & Canada)
Toll Free Fax: 866-329-3924 (US & Canada)
E-mail: techhelp@exair.com

Telephone: 513 671-3322 outside of US & Canada
Fax: 513 671-3363 outside of US & Canada
Website: www.exair.com