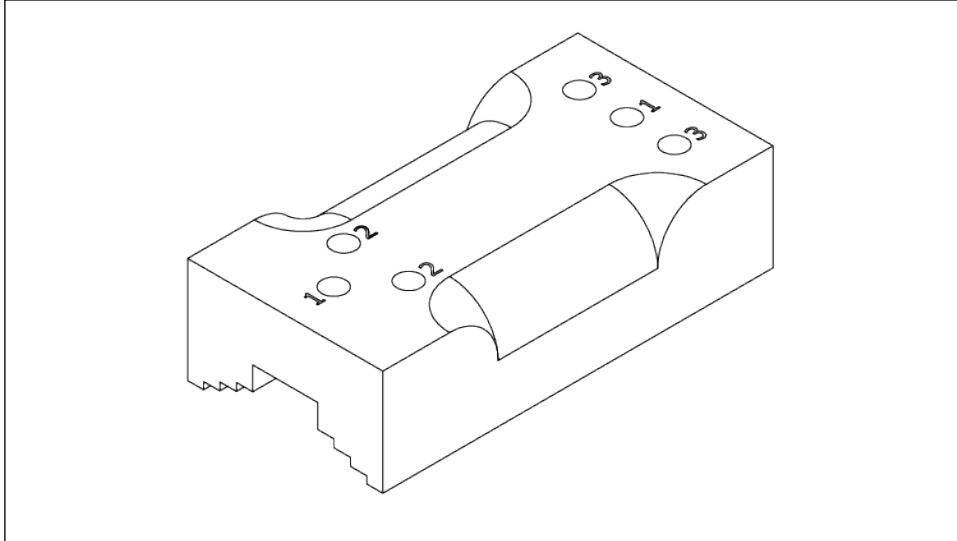


UNIVERSAL DRILL GUIDE FOR ALL DIGITAL FLOWMETERS **INSTALLATION & MAINTENANCE**



****CAUTION****

DEPRESSURIZE PIPE BEFORE DRILLING HOLES AND ALWAYS WEAR SAFETY GLASSES.

Preparing to Drill the Holes

Shut down the compressed air system where the Digital Flowmeter will be installed and make sure that it will remain shut off during installation. Discharge the air from the pipe prior to drilling.

Make sure the location where the flowmeter is to be mounted meets the upstream and downstream requirements for that specific flowmeter. Secure the hole locating fixture to the pipe with a C-clamp, hose clamp, or a chain clamp. The holes to be drilled corresponding to each flowmeter as follows:

#1 Holes: 9090, 9091, 9092, 9093 and 9094 Digital Flowmeters

#2 Holes: 9095 and 9096 Digital Flowmeters

#3 Holes: 9097, 9098, 9099, 90100 and 90101 Digital Flowmeters

Drill the holes, making sure to go through one wall of the pipe only. Remove the hole locating fixture, and remove any burrs that were formed when drilling.

When the holes are drilled, metal shavings will enter the pipe. Make sure that filters or other provisions are present downstream to prevent the shavings from damaging downstream equipment, tools or products as well as considering any place where they could be blown out and cause an injury.

If you have any questions or problems, please contact an EXAIR Application Engineer at:

Toll Free: 1-800-903-9247 (US & Canada)
Toll Free Fax: 866-329-3924 (US & Canada)
E-mail: techhelp@exair.com

Telephone: 513 671-3322 outside of US & Canada
Fax: 513 671-3363 outside of US & Canada
Website: www.exair.com